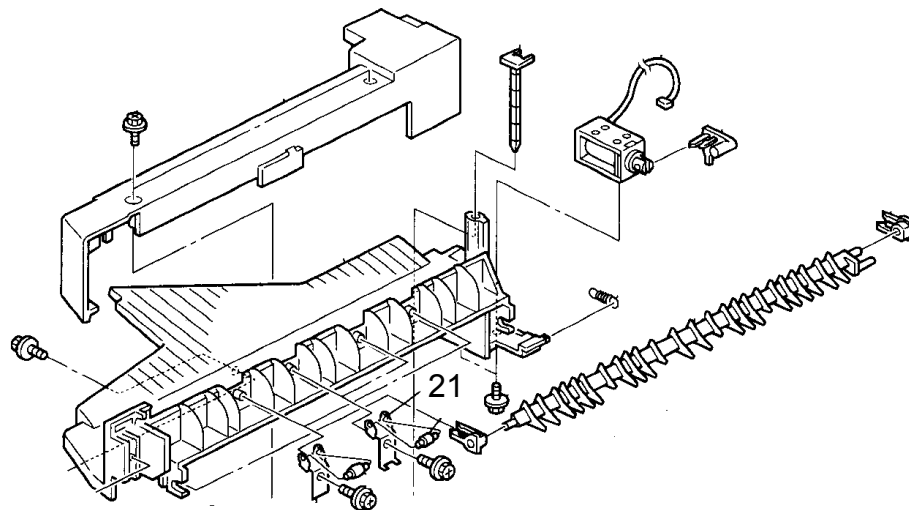


Model: Stinger-C1 1-bin Sorter (PT180)		Date: 21-Dec-00	No.: MA869001
Modified Article: Exit Roller		Prepared by: K. Miura	
From: Technical Services Dept., GTS Division			
Reason for Modification:	<input type="checkbox"/> Parts catalog correction <input type="checkbox"/> To facilitate assembly <input type="checkbox"/> Part standardization	<input type="checkbox"/> Vendor change <input checked="" type="checkbox"/> To improve reliability <input type="checkbox"/> Other	<input type="checkbox"/> To meet standards ()

It was found that the opening in some exit roller supportors (A8694470) is relatively large, causing the shaft for the exit rollers (G0294181) to rattle. To eliminate this, the diameter of this opening has been reduced from 3 mm to 2.5 mm.

Old part number	New part number	Description	Q'ty	Int	Page	Index	Note
A8694470	A8694472	Supporter Exit Roller	2	X/O	3	21	



RCL Production

MODEL NAME	V/Hz	DESTINATION	CODE	SERIAL NO.
PT180		ALL RICOH subsidiaries, NRG, SAVIN	A869-17	H1900900001
PT180		Infotec	A869-26	3U6090xxxx
PT180		Lanier	A869-55	L051009xxxx